

AQUA 240

FEATURES

ENGLISH

- Dynamic RGB Effects: Addressable RGB Lighting in Water Block
- Vortex WB 120: Extended Speed Range for Optimal Noise/Performance Relation
- Supports Both Included with Remote Control and 5V RGB Motherboard Headers
- Sleeved and Extended Tubing for Improved Durability and Reliability

DEUTSCH

- Dynamische RGB-Effekte: Adressierbare RGB-Beleuchtung in Wasserblock
- Vortex WB 120: Vergrößerter Geschwindigkeitsbereich für optimales Geräusch-Leistungs-Verhältnis
- Unterstützt sowohl mitgelieferte mit Fernbedienung als auch 5-V-RGB-Motherboard-Stiftleisten
- Ummantelte und erweiterte Verschlauchung für verbesserte Beständigkeit und Zuverlässigkeit

ESPAÑOL

- Efectos RGB Dinámicos: LEDs RGB Direccionables tanto en el Bloque de Agua
- Vortex WB 120: Rango de Velocidad Extendido para Optimizar Relación Rendimiento/Ruido
- Soporta tanto con Control Remoto como Conexión 5V RGB a Placas Base Compatibles
- Tubos con Mangas Extralargos para Mayor Fiabilidad y Durabilidad

PORTUGUÊS

- Efeitos RGB Dinâmicos: Iluminação RGB Endereçável em Blocos de Água
- Vortex WB 120: Faixa de Velocidade Estendida para Relação Ideal de Ruído/Desempenho
- Suporta Tanto a inclua com Controle Remoto como os cabecotes da Placa-mãe 5V RGB
- Tubulação com Manga e Estendida para Mais Durabilidade e Confiabilidade

РУССКИЙ

- Динамические эффекты RGB: адресное RGB-освещение как в водяном блоке
- Vortex WB 120: расширенный диапазон скорости для оптимального соотношения шума/производительности
- Поддерживает оба разъема: с пультом дистанционного управления и 5-вольтовое RGB подключение к материнской плате
- Трубчатые и удлиненные трубки для повышения долговечности и надежности

한국어

- 다이나믹한 RGB 효과 : 모두에서 활용 가능한 RGB 조명
- Vortex WB 120 : 최적의 소음 / 성능을 위한 확장 속도 범위
- 원격 제어 및 5V RGB 마더 보드 헤더가 있는 모두 지원 가능
- 향상된 내구성 및 신뢰성을 위한 슬리브 및 연장 튜브

БЪЛГАРИЯ

- Подробни инструкции за употреба изтеглете от: <https://cougargaming.com/bg>



България QR код

FRANÇAIS

- Effets RVB dynamiques : Éclairage RVB adressable dans le waterblock
- Vortex WB 120 : Plage de vitesse étendue pour un rapport bruit/performance optimal
- Prend en charge le inclus avec télécommande et les embases de carte mère RVB 5 V
- Tubes étendus et à manchons pour une durabilité et une fiabilité accrues

POLISH

- Dynamiczne efekty podświetlenia RGB: adresowalne podświetlenie RGB bloku wodnego
- Vortex WB 120: rozszerzony zakres prędkości dla optymalnego stosunku poziomu hałasu do wydajności
- Obsługa dołączonego z pilotem zdalnego sterowania i złączy header 5V RGB na płycie głównej
- Rurki w oplocie i przedłużające dla większej trwałości i niezawodności

HUNGARIAN

- Dinamikus RGB-effektusok: címezhető RGB-világítás a vízblokkhoz
- Vortex WB 120: kibővített sebességtartomány az optimális zaj/teljesítmény arányhoz
- A tartozékékként kapott ot a távvezérlővel, illetve az 5 V-os RGB alaplapi csatlakozósorokat egyaránt támogatja
- Tokban elhelyezett és kibővített csővezeték a fokozott tartósság és megbízhatóság érdekében

ITALIA

- Effetti RGB dinamici: illuminazione RGB indirizzabile sia nell'idroblocco
- Vortex WB 120: intervallo di velocità esteso per rapporto ottimale rumore/prestazioni
- Supporta incluso con telecomando e i connettori per scheda madre RGB 5V
- Tubi con manicotti ed estesi per una maggiore durata e affidabilità

日本語

- ダイナミックRGBエフェクト：アドレス可能なRGB LED付き水冷ヘッド
- Vortex WB 120：ノイズとパフォーマンスのバランスを最適化した拡張速度範囲
- ワイヤレスリモコンとマザーボード用の5V RGBコネクタを搭載
- メッシュと長くしたデザインによって、耐久性と信頼性をアップしたチューブ

中文

- 动态RGB效果：水冷头具有可编程RGB效果
- Vortex WB 120：加大的转速范围，可达到噪音与效能之间的最佳平衡
- 支援无线遥控器和主机板的5V RGB接头
- 水冷管线的编织网与加长设计可提升耐用度与可靠性

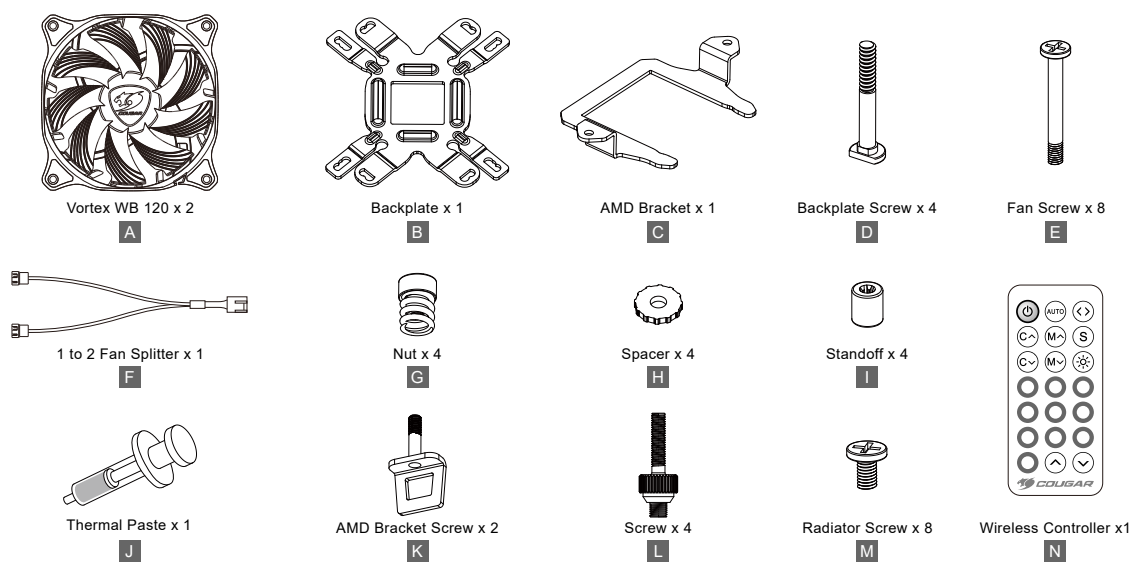
SPECIFICATIONS

Product Name	AQUA 240
CPU Socket	Intel Socket LGA 775 / 1155 / 1156 / 1200 / 1366 / 2011 / 2066 (Core i3 / i5 / i7 CPU) AMD AM4/FM2 / FM1 / AM3+ / AM3 / AM2+ / AM2 CPU
Water Block & Pump	
Dimensions (WxDxH)	60 x 60 x 50 mm
Cold Plate Material	Copper
Pump Speed	3200 ± 10% R.P.M
Rated Voltage	12 VDC
Rated Current	0.39 A
Power Consumption	4.68 W
Connector	SATA & 5V RGB
Radiator	
Type	240mm
Dimension (WxDxH)	274 x 120 x 27mm
Material	Aluminum

Tubing	
Material	Durable Rubber with Sleeves
Length	400 mm
Fans	
Fan Model	Vortex WB 120
Fan Quantity	2
Dimensions (WxDxH)	120 x 120 x 25 mm
Bearing Type	Hydro-Dynamic Bearing
Fan Speed	600-2000 ± 200 R.P.M
Air Flow	87.1 CFM (Max.)
Air Pressure	2.93 mm-H2O (Max.)
Acoustic Noise	<40 dBA (Max.)
Rated Voltage	12 VDC
Rated Current	0.32 A
Power Consumption	3.84 W
Cable Length	Fan power: 600 mm
Connector & Control	4 Pin PWM

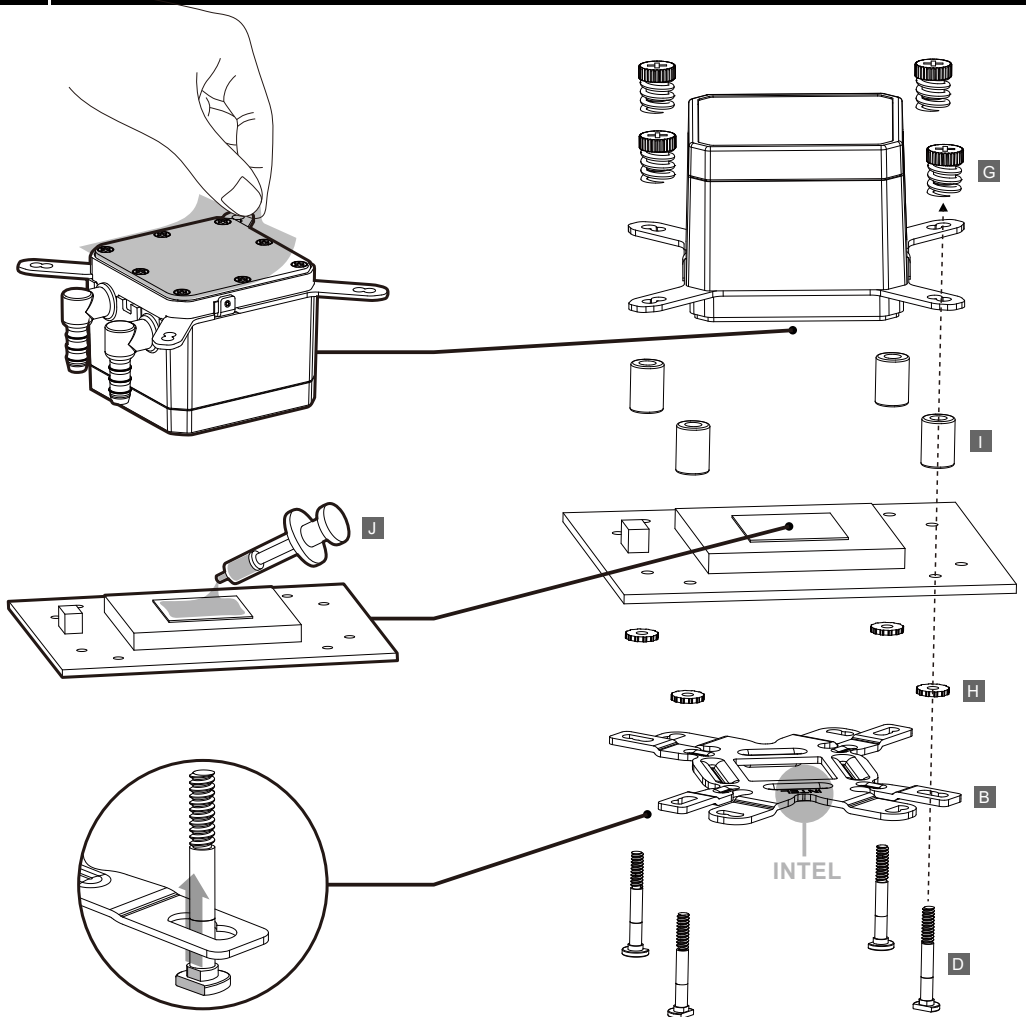
The above specifications may vary by country or region

INSTALL CONTENTS

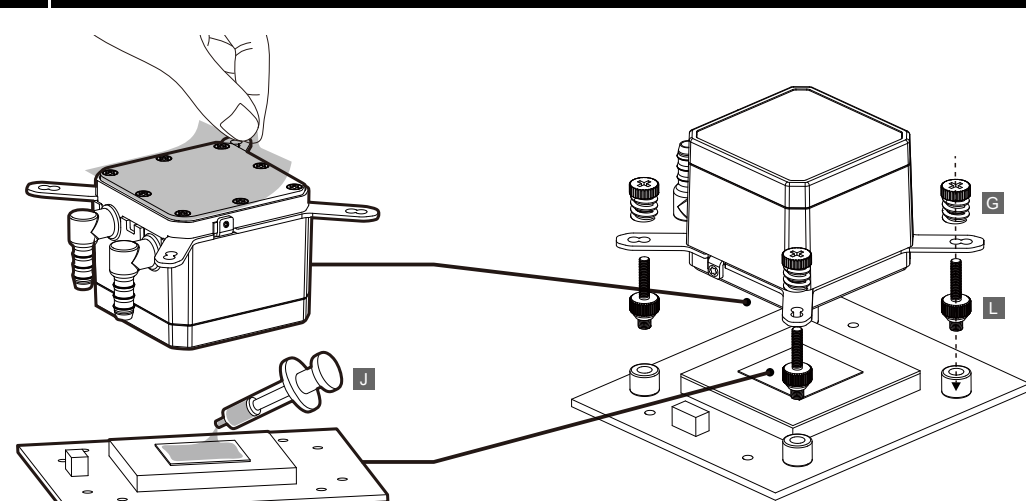


PREPARATION

Intel LGA115X / 1366 / 775

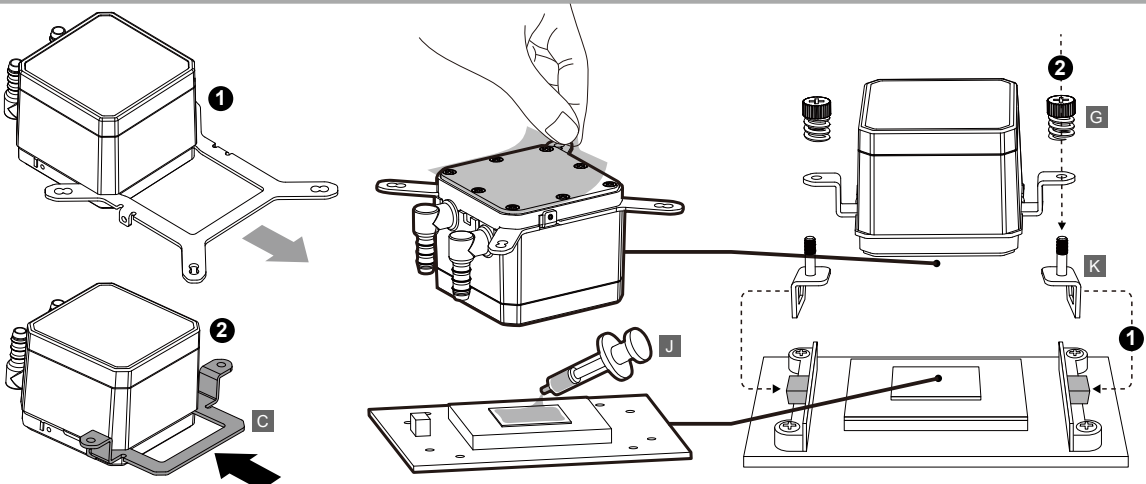


Intel LGA20XX

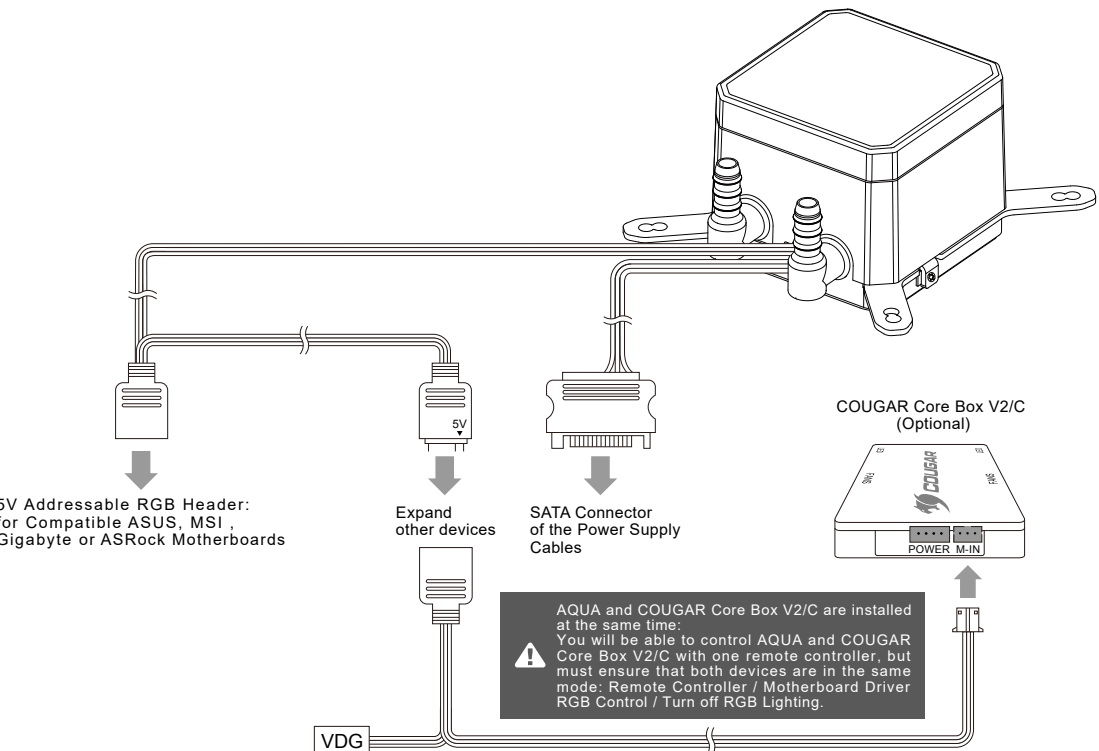
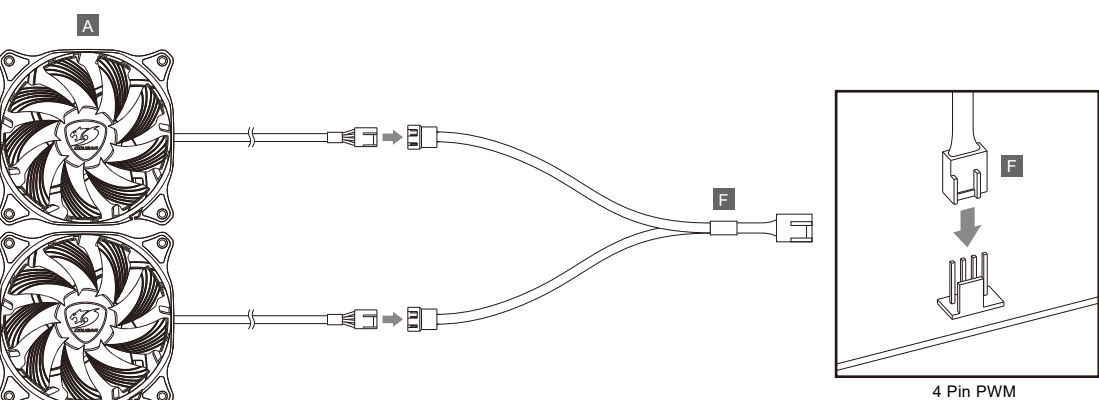
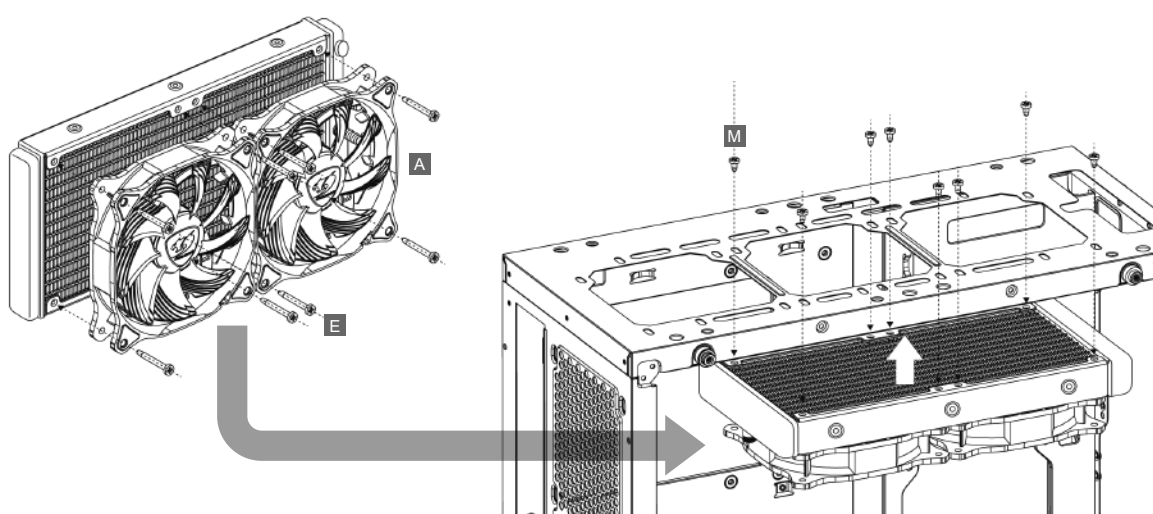


PREPARATION

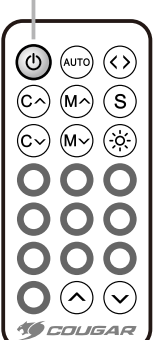
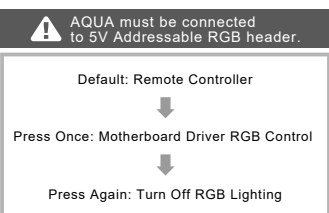
AMD



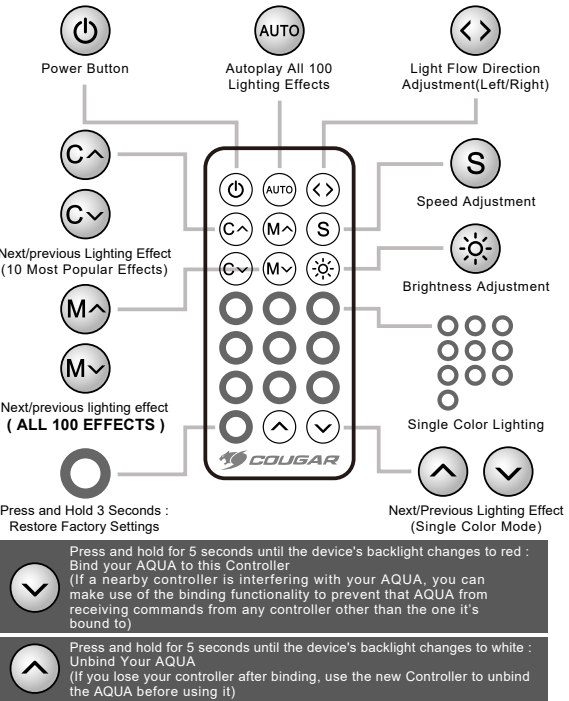
INSTALLATION



MODE SWITCHING



REMOTE CONTROLLER



PACKAGE CONTAINS

AQUA 240 x 1	Vortex WB 120 x 2	Wireless Controller x1
Mounting Kit x 1	1 to 2 Fan Splitter x 1	User Manual x 1

GLOBAL WARRANTY POLICY

WARRANTY PERIODS OF COUGAR GAMING DEVICES
 Product : COUGAR AQUA series CPU liquid cooler
 Warranty : 2 Years
 Warranty : 2 Years gives you specific legal rights. You may also have other rights granted under local law. These rights may vary.

WARRANTY AGREEMENT
 If the product has defects in material or manufacture, COUGAR will provide product repair and replacement service within the warranty period.
 Our warranty service is based on the date of the invoice or warranty card (must be affixed with the store stamp).
 If you lose the aforementioned evidence, we will apply the original shipping date of the product as the beginning date of warranty period. The shipping date will be identified by the product serial number(S/N).

CONDITIONS WHERE FREE MAINTENANCE IS NOT PROVIDED
 Any fault or damage caused by natural disasters (including storm, fire, flood, thunder, earthquake, etc).
 Any fault or damage caused by accidental factors and man-made reasons (including hit, scrape, crash, moving, compression, stain, corrosion, use of incurred on unsuitable voltage, computer virus, riot, misuse, malicious damage, etc).
 Use in an improper operating environment (including high temperature, high humidity, water inflow, etc).
 Inability to provide the product warranty card, purchase receipt or invoice to prove the product is still within the warranty period and the shipping date of the product is out of warranty.
 The warranty card or product serial number has been altered or its number is hard to identify.
 The warranty period has expired.
 Any fault or damage caused by non-compliance with regulations stated on the user manual or improper, rough and careless treatment.
 Any fault or damage caused by use of parts not certified by COUGAR original manufacturer.
 The product is caused by improper repair or adjustment by the buyer or any manufacturer without authorization from COUGAR.
 The product is not acquired from an authorized distributor of the company or is acquired from illicit sources.
 Paper carton, instruction and other accessories are not warranted.

DISCLAIMERS
 COUGAR product is not authorized for use as critical components in life support device or for incorrect application software or malfunction of the product.
 COUGAR is not liable for the death or damage of person or loss of property when product is using as, including but not limited to, medical equipment, military equipment, traffic equipment and disaster prevention system.
 COUGAR is not liable for any damages, expenses, lost data, lost revenues, lost savings, lost profits, or any incidental or consequential damages due to using defect product of COUGAR.
 If you have any question about the warranty, please feel free to contact us. Customer support: <https://cougargaming.com/support/contact/upload/>

LEGAL NOTICES

This manual was created by Compucase Enterprise and may not be completely or partially copied, passed on, distributed or stored without written consent by Compucase Enterprise.
 COUGAR® is a registered brand of Compucase Enterprise Other product and company names mentioned in this documentation may be brands or trademarks of their respective owners.
 Compucase Enterprise reserves the right to make changes concerning the contents of the manual and the technical data of the product without previous announcement.

MANUFACTURER CONTACT

Compucase Enterprise Co.,Ltd.
 No. 225, Lane 54, An Ho Road Sec. 2 Tainan, Taiwan, R.O.C
 Tel:+886-6-356-0606

COUGAR USA Technical Service
 Tel: (833) 256-3778
 Mail: rma@compucaseusa.com

Service email : <https://cougargaming.com/support/contact/upload/>
 More information you will find at cougargaming.com
 Compucase Enterprise Co.,Ltd.
 All rights reserved.
 Made in China

• 제품명 : AQUA240
 • 전파인증번호 : R-R-CEE-AQUA
 • 제조사 : WEI CHANG XING ELECTRONICS (SHENZHEN) CO., LTD./중국
 • 수입판매사 : ㈜쿠거코리아
 • 제조년월 : 별도표시
 • A/S문의처 : 070-7443-7754

DATE OF MANUFACTURE OF THE PRODUCT
 год и месяц изготовления продукции указаны в серийном номере продукта (существует 2 способа определения даты изготовления, оба способа описаны ниже)

A После S/N: первые две цифры означают год, вторые две – месяц изготовления. Например, S/N: H1702000001 означает, что товар был произведен в феврале 2017 года.

B После S/N: если указаны буквы, то две буквы следующие цифры из таблицы ниже, и означают год, следующие две цифры – месяц изготовления. Например, S/N: DAG02REV1000001 означает, что товар был произведен в феврале 2017 года.

A	B	C	D	E	F	G	H	I	J
1	2	3	4	5	6	7	8	9	0

• Например, AG = 17 = 2017 год